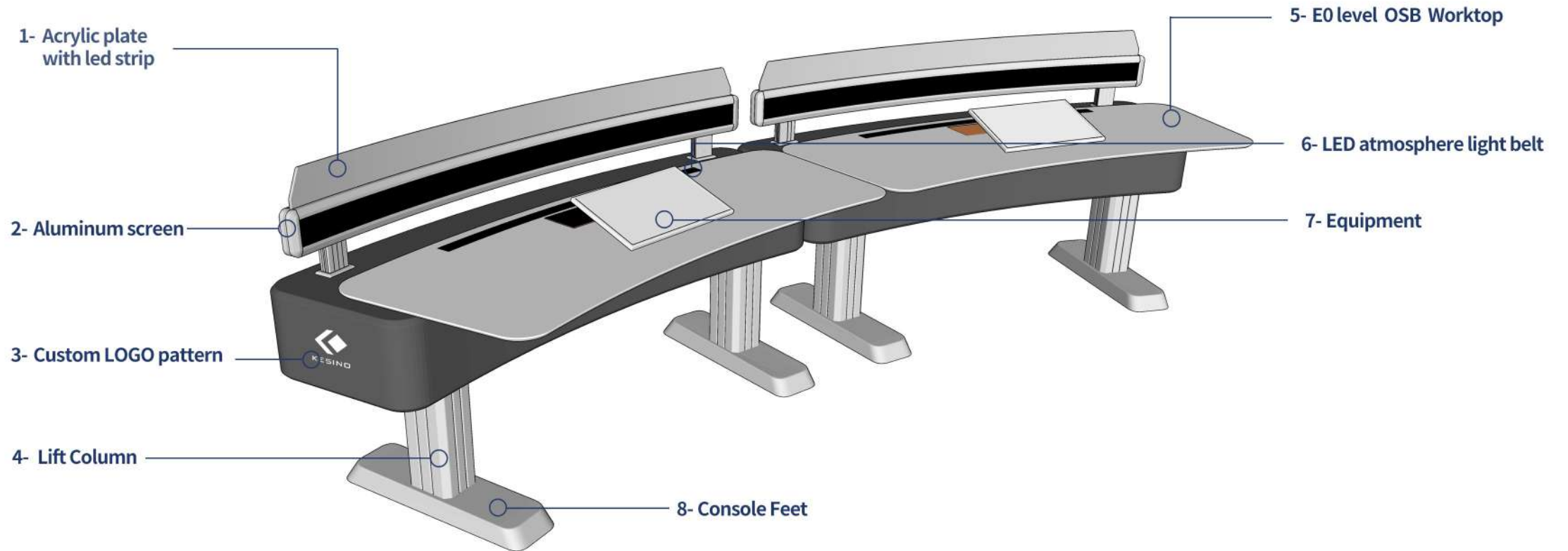


A new generation
of KCH series

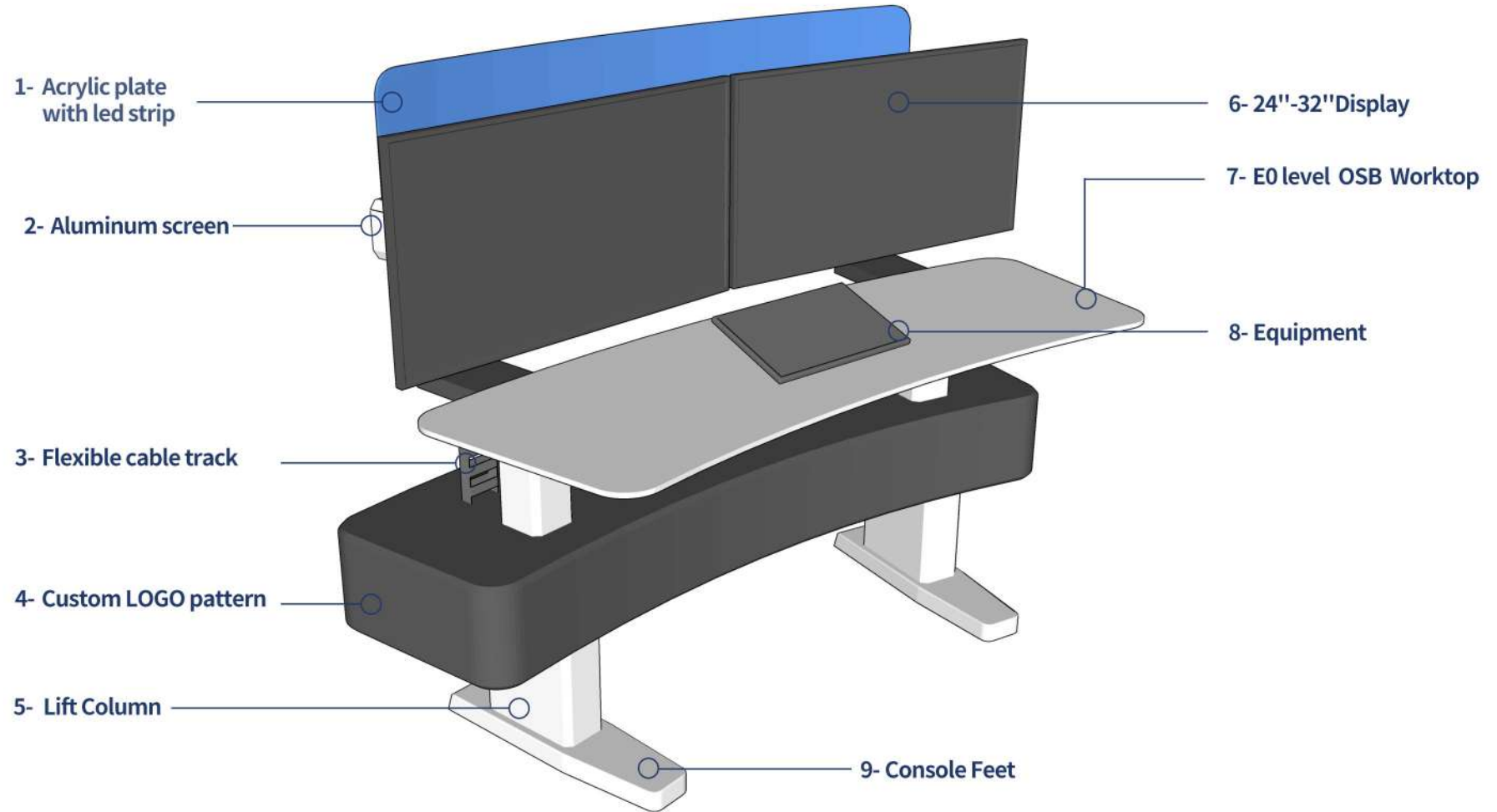
KCH-22



KCH-22 PARAMETER CONFIGURATION



KCH-22 PARAMETER CONFIGURATION



1

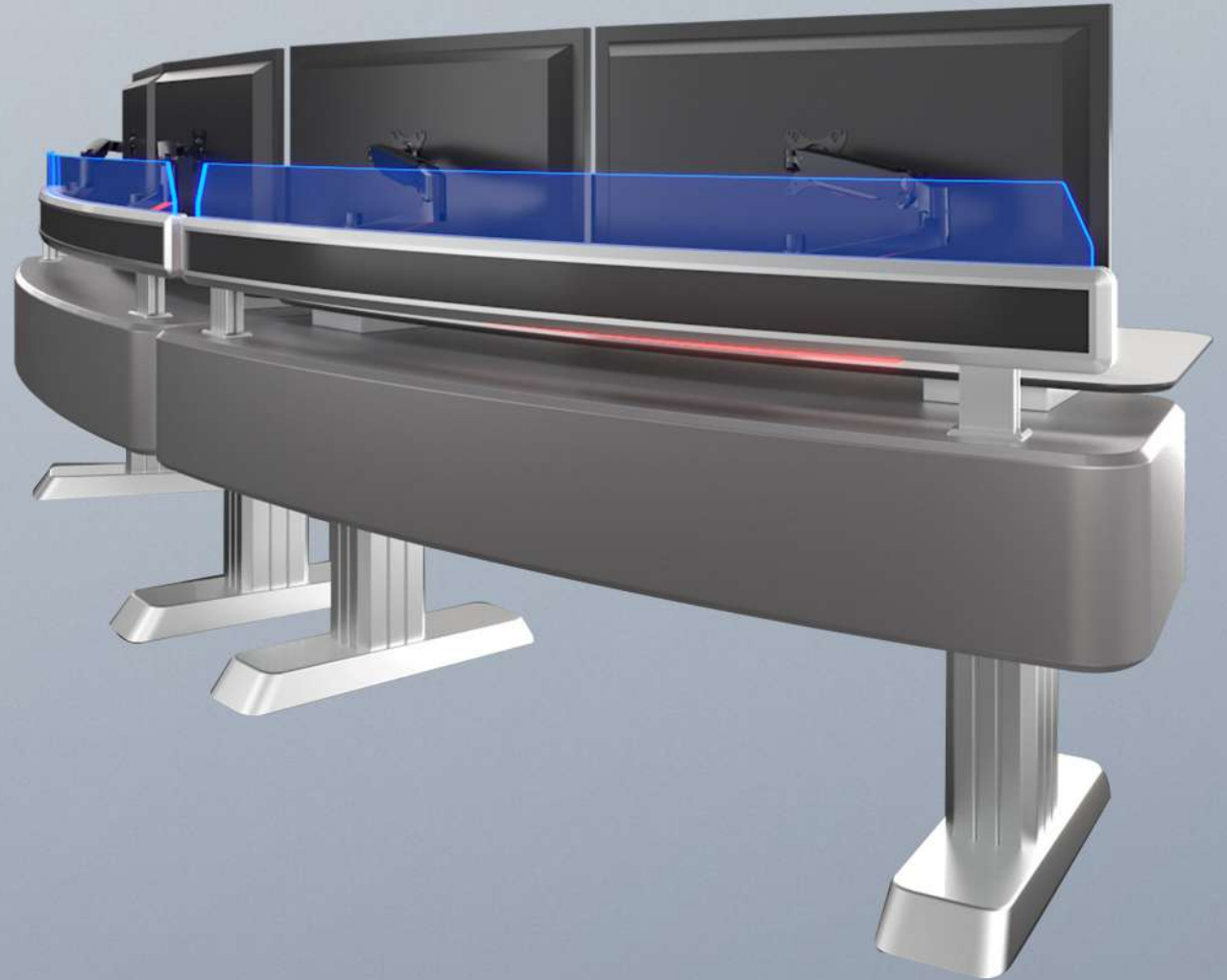
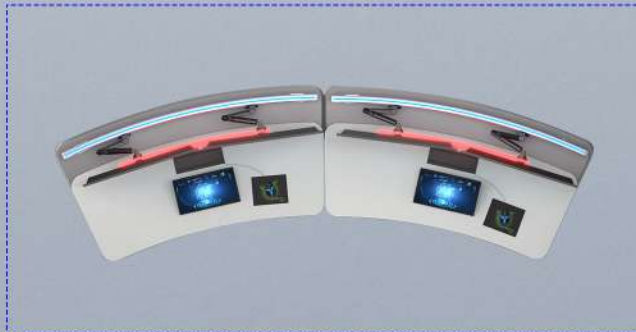
Lighting atmosphere

Luminous acrylic screen

Colorful lines, vivid atmosphere

Icy blue light with a sense of technology

12V acrylic light strip, providing ambient lighting,



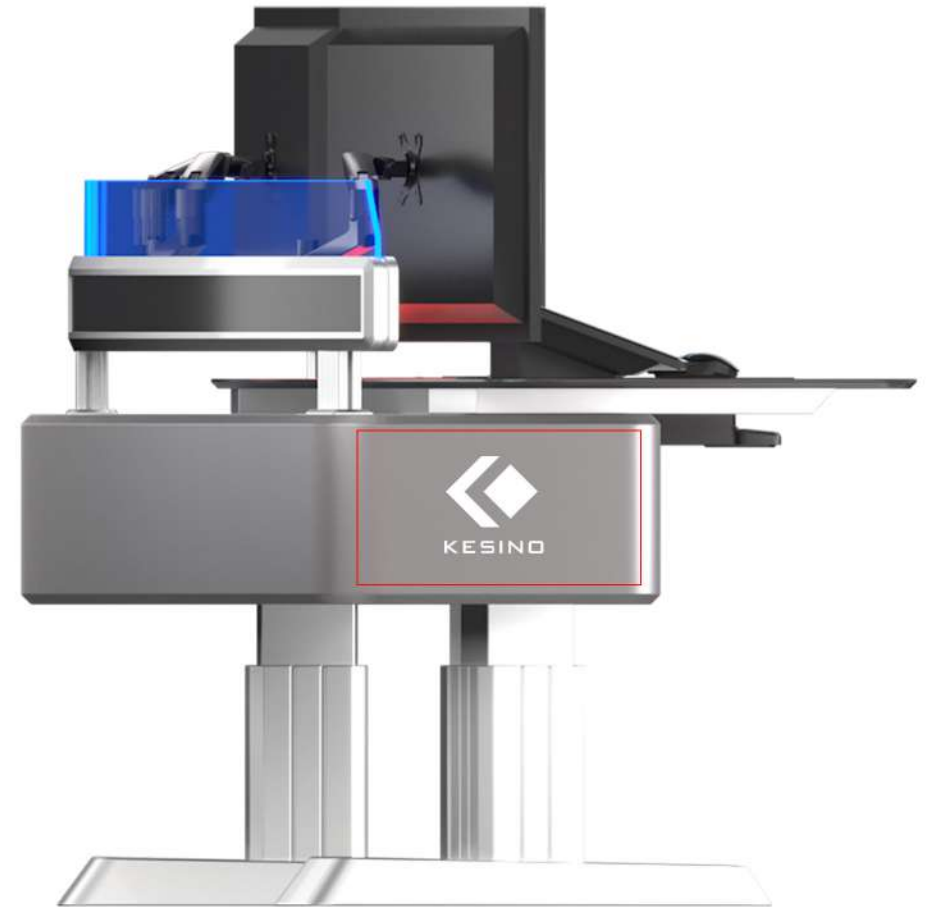


Side panel LOGO

Exclusive custom patterns, highlighting nobleness

The effect of brand color customization

The end panels of wooden outlines the concise lines to highlight the simple but not simple product characteristics of Cosino. The eye-catching and unique digital printing technology vividly and concretely shows the exclusive characteristics of customers.





Intelligent lifting function

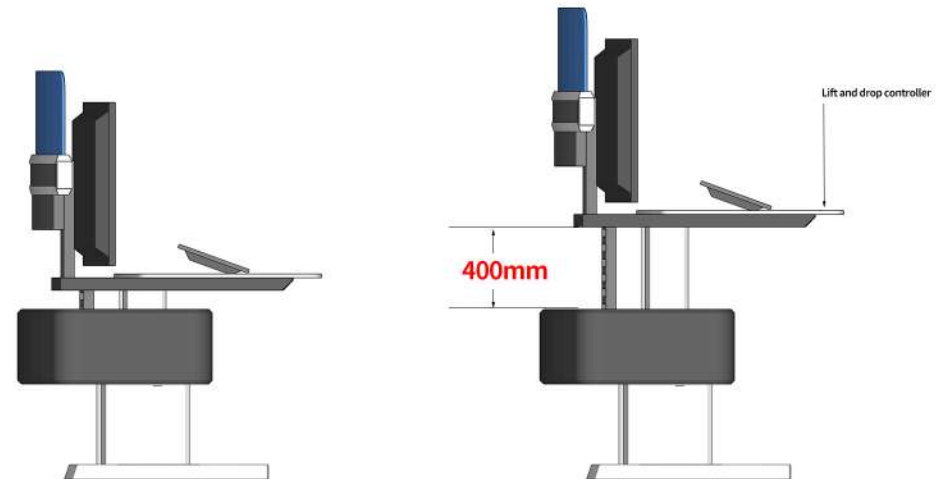
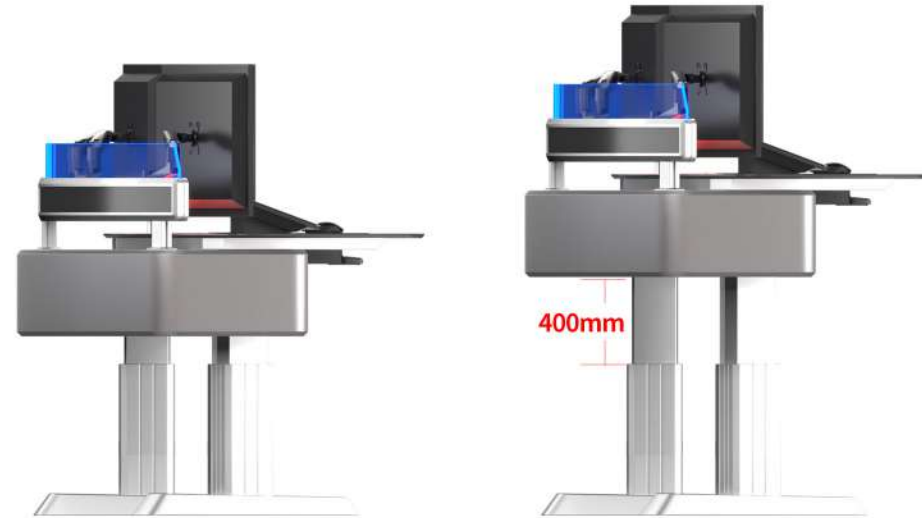
Intermittent standing and sitting work stance

The console can be customized with lifting function to meet the needs of sit-stand office work, and the lifting model can be perfectly spliced with the non-lifting model.

Intermittent standing and working postures alternate, can prevent cervical spondylosis and headaches and other diseases



Lift and drop controller

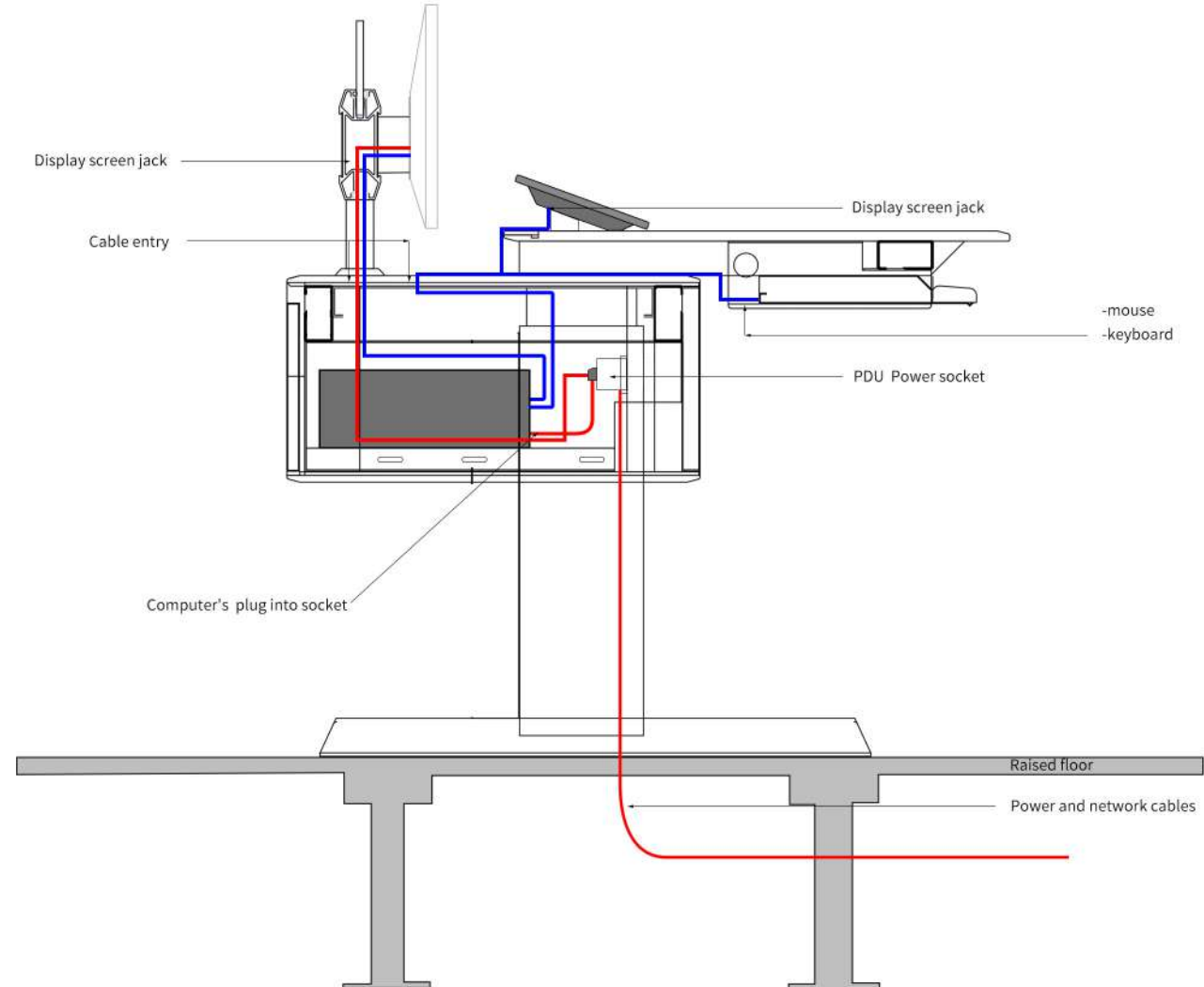


4

INTERNAL CABLE PASSAGE

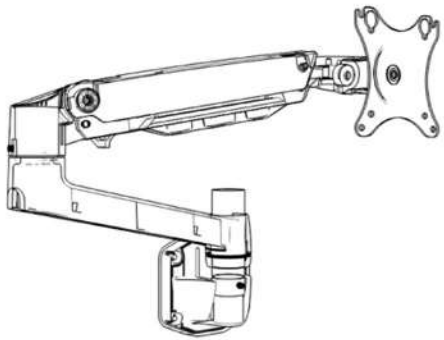
Short and smooth cable management system

- 1) Professional wiring channels are set inside the console, which are compatible with the overall system environment
- 2) Sufficient internal space can make the wiring standard and tidy, Smooth and beautiful, reasonable and safe
- 3) It has the function of separating strong and weak electricity to avoid mutual interference
- 4) Standard 19-inch equipment rack is optional inside, Convenient for 19-inch standard equipment installation and wiring arrangement





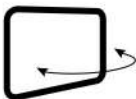
Multi-screen suspension bracket 24"-32" Display



24-32"



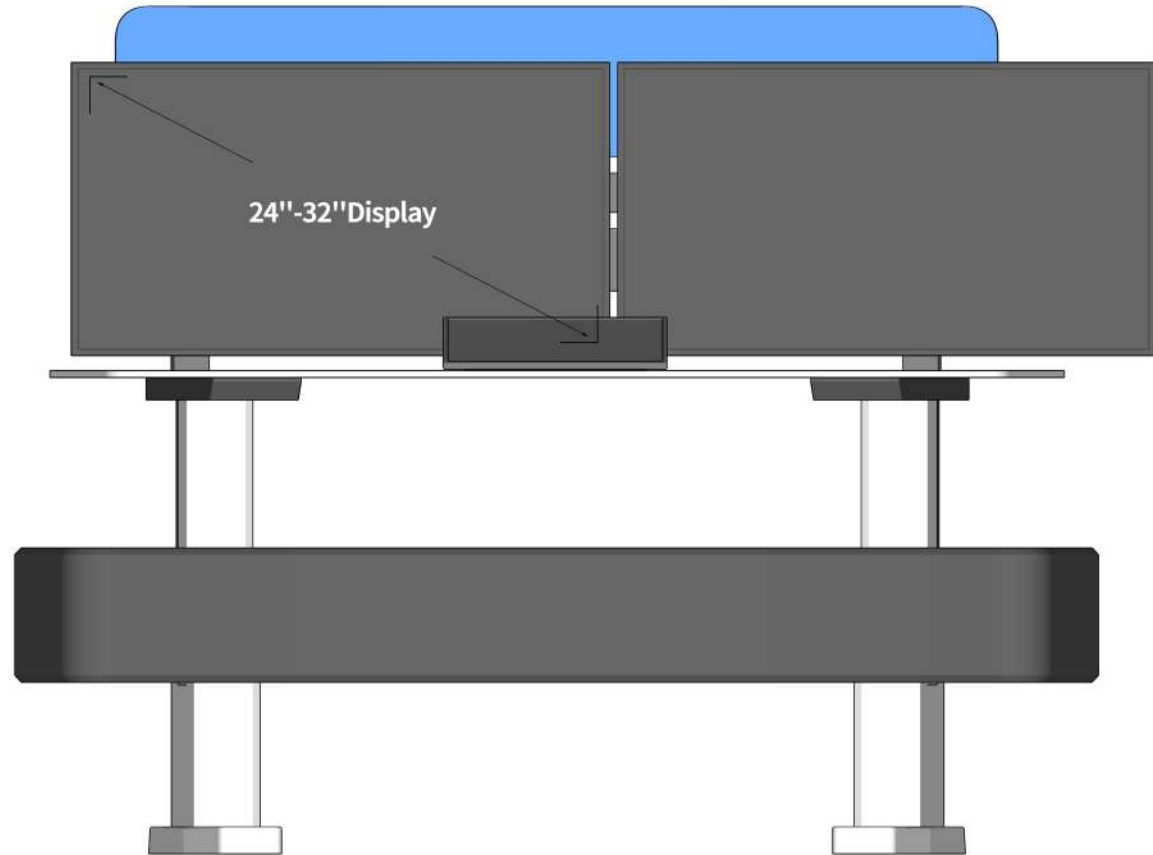
+/- 180°



+/- 180°



max 10kg



☰ Material is introduced

Main frame:

Using 6063-T5 aluminum alloy profile, the overall strength is three times higher than that of the traditional console, the load-bearing capacity is increased by two times, corrosion resistance, acid and alkali resistance, never rust, and a life span of 20 years without deformation.

Surface treatment:

After processing and forming, it goes through 8 pre-treatment processes such as pickling and phosphating, and high-temperature drying to ensure sufficient corrosion resistance, scratch resistance, and yellowing resistance to become excellent performance, making the metal surface lasting forever.

Imported OSB

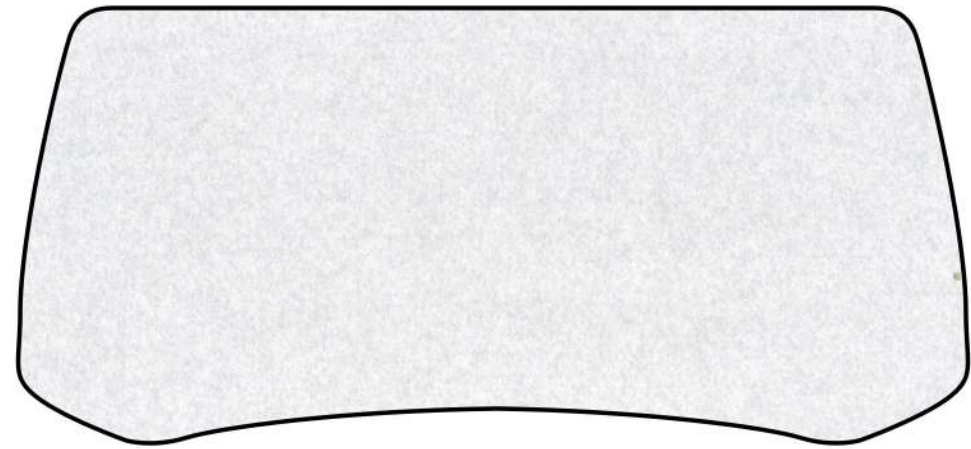
With high-quality E0 (national standard E1) OSB Ouzong board as the base material, the surface is professionally processed by "melamine (MELAMINE). It has excellent moisture resistance and shrinkage resistance, because the abbreviation (Melamine Faced Board) MFC is widely used in office furniture, mainly with console surfaces, side panels and door panels.



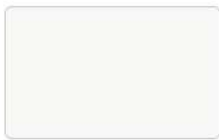
GOLD

☰ Selection of color

Countertop display ▶



Color display ▶



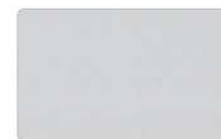
1630 warm white
(in stock)



4168 Grassland
after snow (in stock)



1202 Iron Grey



3203 light gray

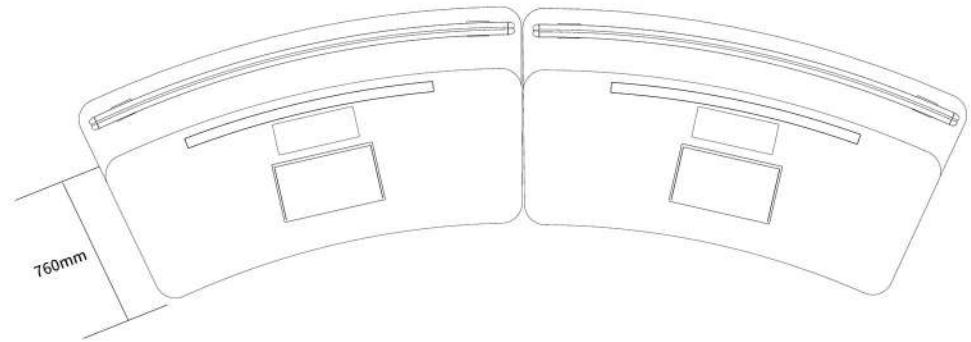
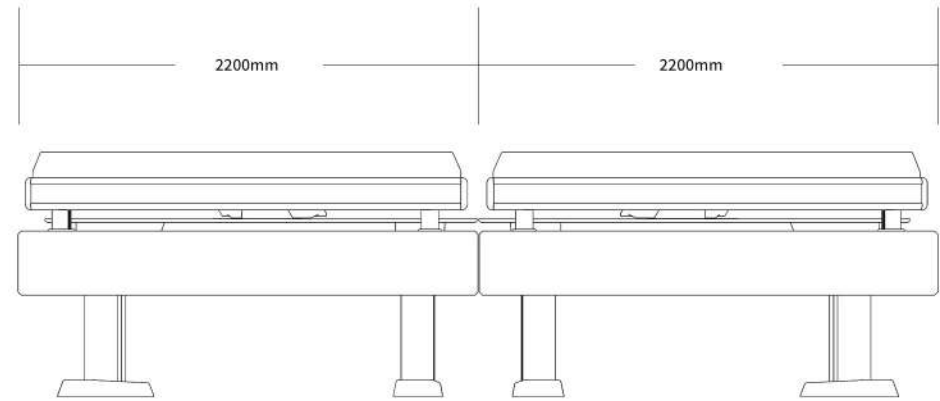
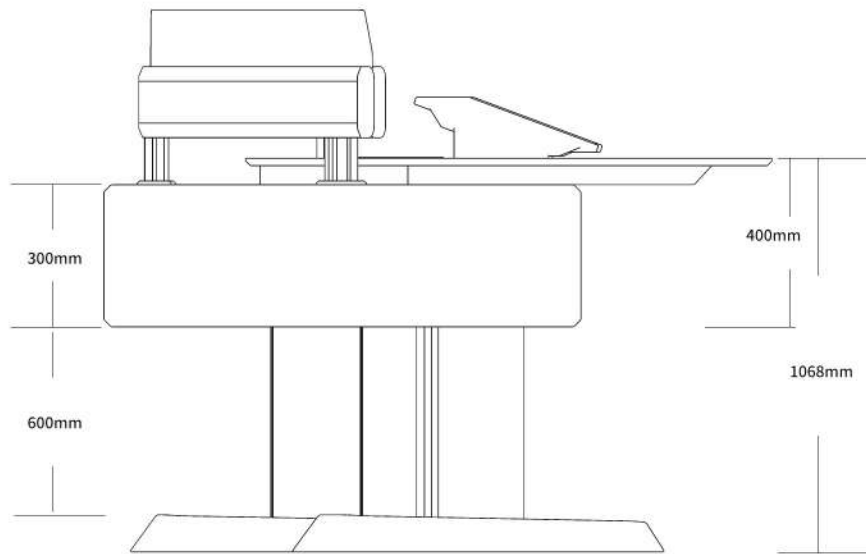


3004 Teak



0166 cherry wood

☰ Product Size





BEIJING KESINO ENGINEERING TECHNOLOGY CO., LTD

ADDRESS

BEIJING OFFICE
40-1905, Tiantong Yuan,
Changping District,
Beijing, 102218, China

GUANGZHOU OFFICE
HELENBORG CREATIVE PARK,
XISHAN ROAD, PANYU DISTRICT,
GUANGZHOU, CHINA

KESINO FACTORY
TANGHE COUNTY, NANYANG
CITY, HENAN PROVINCE,
473410, CHINA

ONLINE
TELEPHONE: 4008313600
WEBSITE: WWW.KESINOCONSOLES.COM